

EFP Series

No-dead Zone Type 4 Safety Light Curtain



Product Introduction

EFP series is a no dead zone safety light curtain in accordance with EU type 4 safety standards, which adopt internal MCU redundancy dual loop output design, periodic self-diagnosis & cross-diagnosis to ensure high safety. Rich self-diagnosis just avoid potential safety risk effectively. Optional optical-syn & wire-syn, small size and excellent performance meet different installation. Additional EDM & manual reset function ensure safety requirement. Host-computer can set the function and parameter based on environment. Multiple brackets for easy installation.

Product Feature

- Design according to IEC61496 type 4 standard;
- Self-diagnosis and cross-diagnosis to improve safety;
- Independent and redundancy dual OSSD output prevent safety hazards caused by failure of one single circuit, and detect output overcurrent, power short-circuit, output short-circuit to ensure safety;
- EDM function monitor signal of external device connected (relay, contacts etc.) connected;
- With curtain dynamically to prevent any loss of safety due to external device;
- Optional manual reset and automatic reset;
- Many brackets for various installation;

Product Parameter

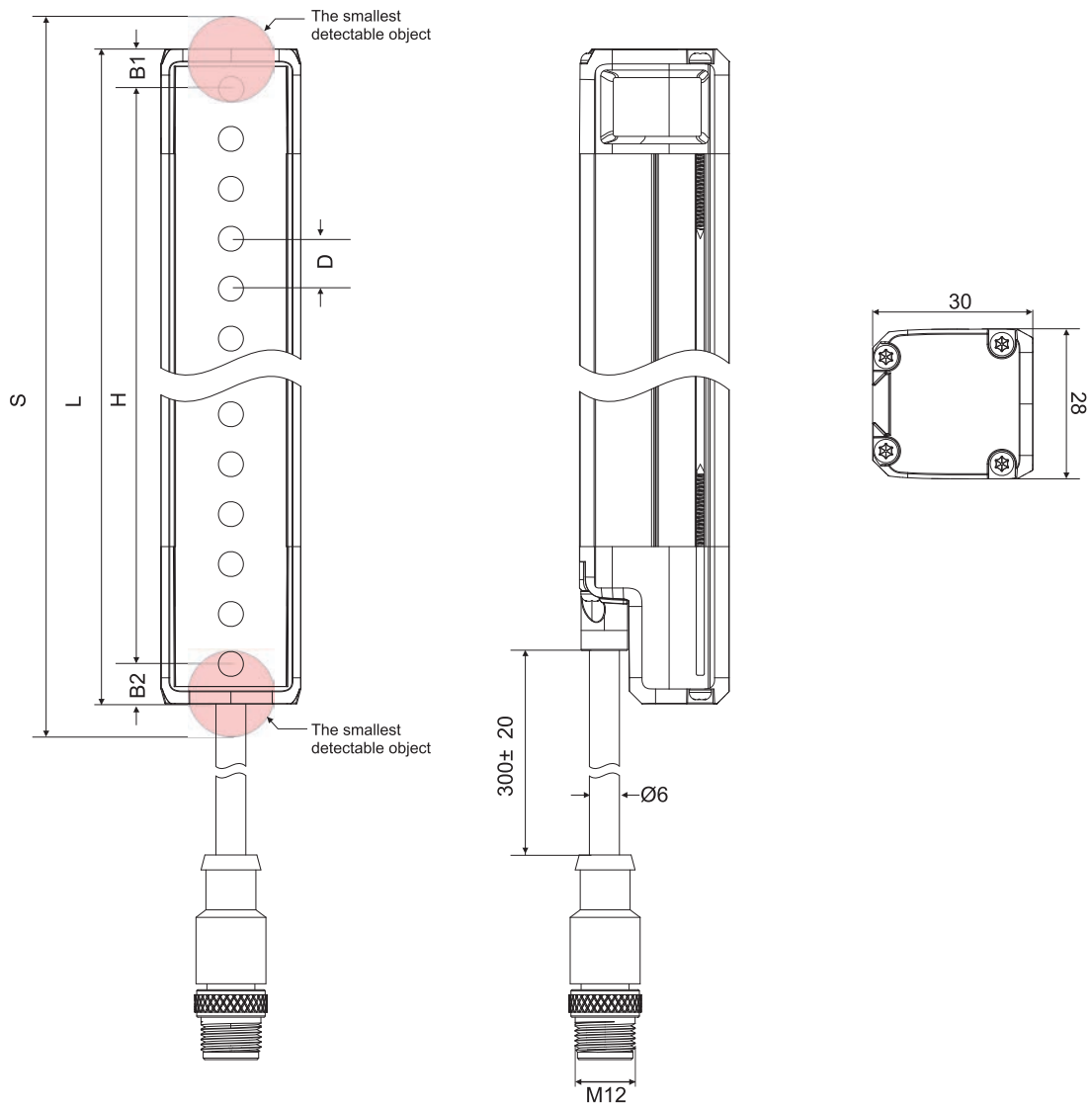
Safety Standard	Type 4(IEC 61496-1/-2)Cat.4,PL e(ISO 13849-1)
Power Supply	DC24V±20%
Capacity	<5W
Beam Space	10mm, 20mm, 40mm
Resolution	14mm, 25mm, 45mm
Beams	10mm: 16, 20,...160
	20mm: 8, 10,...80
	40mm: 4, 6,...40
Protective Height	$S=N \times \text{Beam space} + \text{Resolution}$, N=Beams
Light Wavelength	940nm infrared light
Response Time	$\leq 2 \times (N \times 0.1 + 3)$ ms(N is beams)
Safety Output (OSSD)	PNP or NPN Load currents 200mA (Temperature exceed 40°C \leq 200 mA), residual voltages 1V (any voltage drop caused by cable extension is excepted,), voltage leakages 0.1mA.
Protective Circuit	Overvoltage protection, power supply reverse protection and overcurrent protection.
Sensing Distance	0.2~5m, 0.6~12m (please let us know if any light reflecting.)
Against Optical Interference	10000 Lux (angle > 2.5°)
Sensing Method	Thru-beam
Synchronization	Wire-syn (default) or optical-syn
Enclosure Material	Aluminum alloy
Enclosure Protection Rate	IP65
Sectional Size	33*38mm
Vibration Resistance	Frequency 10Hz-55Hz, amplitude 0.35±0.05mm, 20 times each X, Y and Z direction.
Shock Resistance	100/s ² (10G), 16ms pulse 1000 times each at X, Y, Z directions.
Ambient Operating Temperature	-10°C~55°C(no freezing)
Storage Temperature	-30°C~70°C(no freezing)
Ambient Operating Humidity	When temperature 20°C, the humidity max. 85%
T (Operation time)	20 years (ISO 13849-1)

Model Selection (e.g.:EFP1620NL-5)

Product Series	Beams	Beam Space	Output	Bracket	Sensing Distance
EFP	16	20	N	L	5
	04,06,08.....	10mm 20mm 40mm	N: NPN*2 P: PNP*2	L: side mounting H4: H4 end mounting LD2: LD2 up & bottom rotate bracket	5:0.2~5m 12:0.6~12m

Type 4 Safety Light Curtain

Product Size



D=10mm; B1=8mm, B2=8mm
 D=20mm; B1=8mm, B2=8mm
 D=40mm; B1=18mm, B2=18mm

$H=(N-1) \times \text{Beam space}, N=\text{Beams}$
 $S=N \times \text{Beam space} + \text{Resolution}, N=\text{Beams}$
 $L=B1+H+B2$

EFP Model Selection Table

- Beam space 10mm, resolution 14mm

Beams	Response Time (ms)	Protection Height (mm)	Detection Height (mm)	Total Height (mm)	Model
16	≤9.2	174	150	166	EFP1610
20	≤10	214	190	206	EFP2010
24	≤10.8	254	230	246	EFP2410
28	≤11.6	294	270	286	EFP2810
32	≤12.4	334	310	326	EFP3210
36	≤13.2	374	350	366	EFP3610
40	≤14	414	390	406	EFP4010
44	≤14.8	454	430	446	EFP4410
48	≤15.6	494	470	486	EFP4810
52	≤16.4	534	510	526	EFP5210
56	≤17.2	574	550	566	EFP5610
60	≤18	614	590	606	EFP6010
64	≤18.8	654	630	646	EFP6410
68	≤19.6	694	670	686	EFP6810
72	≤20.4	734	710	726	EFP7210
76	≤21.2	774	750	766	EFP7610
80	≤22	814	790	806	EFP8010
84	≤22.8	854	830	846	EFP8410
88	≤23.6	894	870	886	EFP8810
92	≤24.4	934	910	926	EFP9210
96	≤25.2	974	950	966	EFP9610
100	≤26	1014	990	1006	EFP10010
104	≤26.8	1054	1030	1046	EFP10410
108	≤27.6	1094	1070	1086	EFP10810
112	≤28.4	1134	1110	1126	EFP11210
116	≤29.2	1174	1150	1166	EFP11610
120	≤30	1214	1190	1206	EFP12010
124	≤30.8	1254	1230	1246	EFP12410
128	≤31.6	1294	1270	1286	EFP12810
132	≤32.4	1334	1310	1326	EFP13210
136	≤33.2	1374	1350	1366	EFP13610
.....
160	≤38	1614	1590	1606	EFP16010

Remark: Besides above model, other curtains can be customized.

Type 4 Safety Light Curtain

EFP Model Selection Table

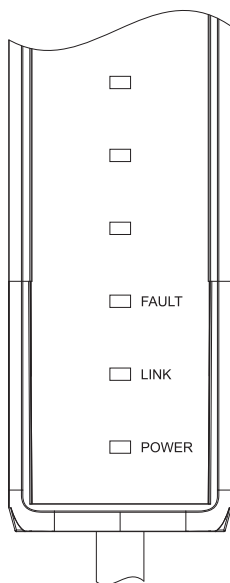
- Beam space 20mm, resolution 25mm

Beams	Response Time (ms)	Protection Height (mm)	Detection Height (mm)	Total Height (mm)	Model
8	≤7.6	185	140	156	EFP0820
10	≤8	225	180	196	EFP1020
12	≤8.4	265	220	236	EFP1220
14	≤8.8	305	260	276	EFP1420
16	≤9.2	345	300	316	EFP1620
18	≤9.6	385	340	356	EFP1820
20	≤10	425	380	396	EFP2020
22	≤10.4	465	420	436	EFP2220
24	≤10.8	505	460	476	EFP2420
26	≤11.2	545	500	516	EFP2620
28	≤11.6	585	540	556	EFP2820
30	≤12	625	580	596	EFP3020
32	≤12.4	665	620	636	EFP3220
34	≤12.8	705	660	676	EFP3420
36	≤13.2	745	700	716	EFP3620
38	≤13.6	785	740	756	EFP3820
40	≤14	825	780	796	EFP4020
42	≤14.4	865	820	836	EFP4220
44	≤14.8	905	860	876	EFP4420
46	≤15.2	945	900	916	EFP4620
48	≤15.6	985	940	956	EFP4820
50	≤16	1025	980	996	EFP5020
52	≤16.4	1065	1020	1036	EFP5220
54	≤16.8	1105	1060	1076	EFP5420
56	≤17.2	1145	1100	1116	EFP5620
58	≤17.6	1185	1140	1156	EFP5820
60	≤18	1225	1180	1196	EFP6020
62	≤18.4	1265	1220	1236	EFP6220
64	≤18.8	1305	1260	1276	EFP6420
66	≤19.2	1345	1300	1316	EFP6620
68	≤19.6	1385	1340	1356	EFP6820
.....
80	≤22	1625	1580	1596	EFP8020

Remark: Besides above model, other curtains can be customized.

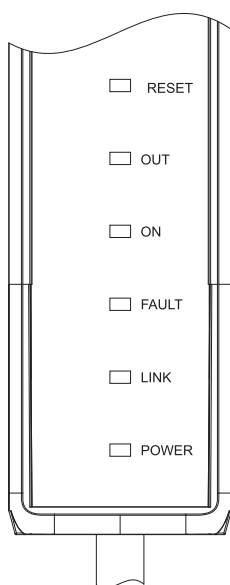
Type 4 Safety Light Curtain

Indicator Light



Emitter

Emitter working state description			
POWER	LINK	FAULT	Description
Green ON	Green ON	OFF	Normal working
Green ON	Green(1Hz)	OFF	Initializing
Green ON	Green(2Hz)	OFF	Wire-syn poor connection or broken
Green(1Hz)	OFF	Red	Undervoltage, Please check
Green(2Hz)	OFF	Red	Overvoltage, please check
Green ON	OFF	Red	Internal failure, repair or replace
OFF	OFF	OFF	Internal failure, repair or replace

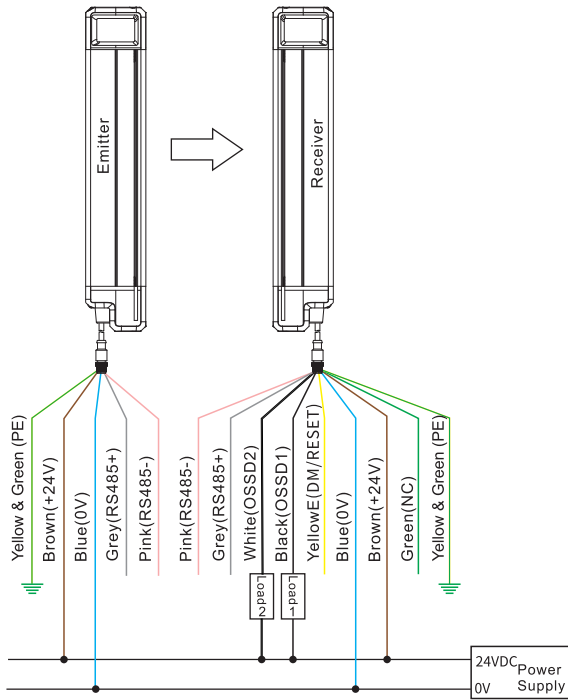


Receiver

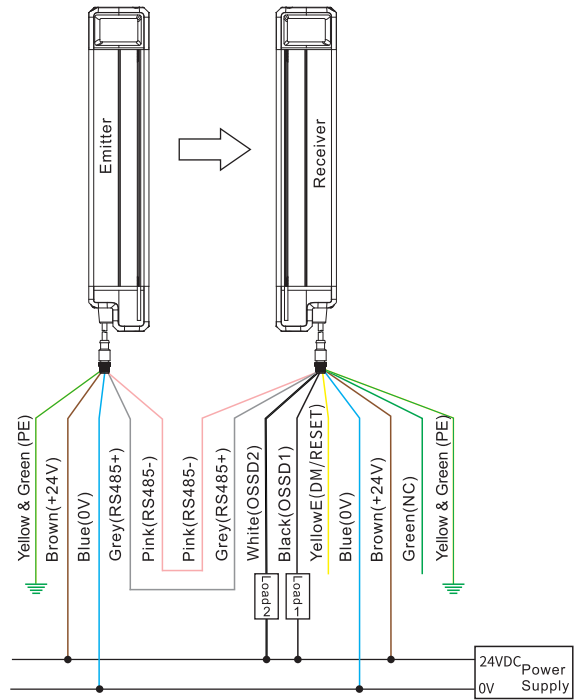
Receiver Indicator Specification						
POWER	LINK	FAULT	ON	OUT	RESET	Function
Green ON	Green ON	OFF	Green ON	Green ON	OFF	Normal working
Green ON	Green (1Hz)	OFF	OFF	Red ON	OFF	Initializing
Green ON	Green (2Hz)	OFF	OFF	Red ON	OFF	Not synchronized well.
Green ON	Green ON	OFF	Green ON	Red ON	Yellow ON	Manual reset
Green (1Hz)	OFF	Red	OFF	Red ON	OFF	Undervoltage, please check
Green (2Hz)	OFF	Red	OFF	Red ON	OFF	Overvoltage, please check
Green ON	OFF	Red (1Hz)	OFF	Red ON	OFF	EDM fault
Green ON	OFF	Red (2Hz)	OFF	Red ON	OFF	2 Output Short-Circuit
Green ON	OFF	Red (4Hz)	OFF	Red ON	OFF	Output Overload
Green ON	OFF	Red	OFF	Red ON	OFF	Internal failure, repair or replace
OFF	OFF	OFF	OFF	Red ON	OFF	Internal failure, repair or replace

Wire Diagram

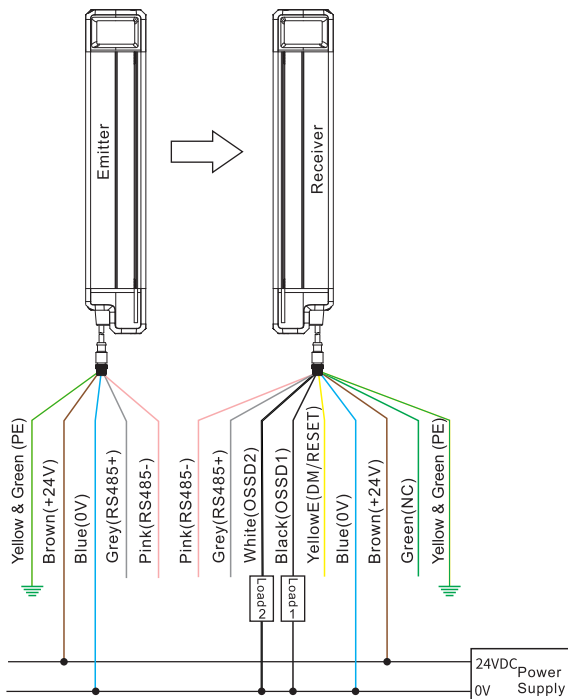
Optical synchronization NPN (No EDM, automatic reset)



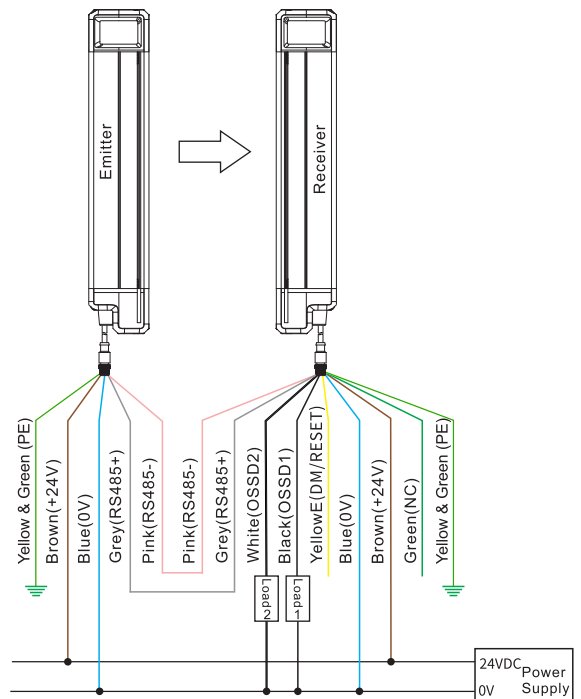
Wire connection NPN (No EDM, automatic reset)



Optical synchronization PNP (No EDM, automatic reset)

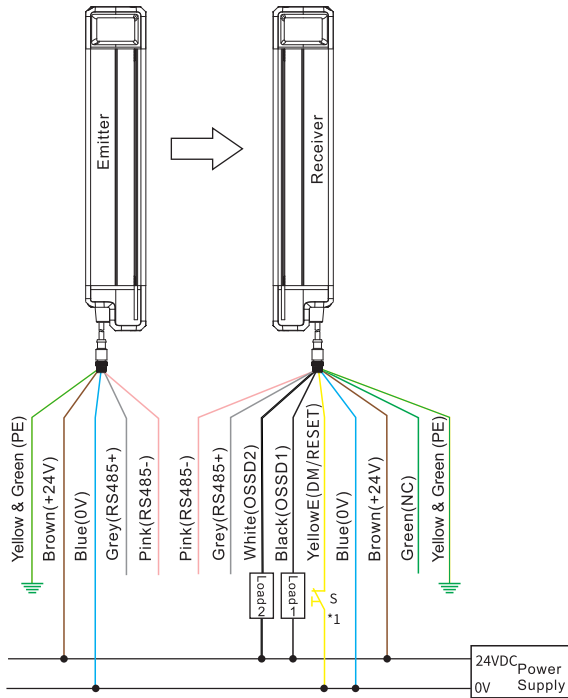


Wire connection PNP (No EDM, automatic reset)

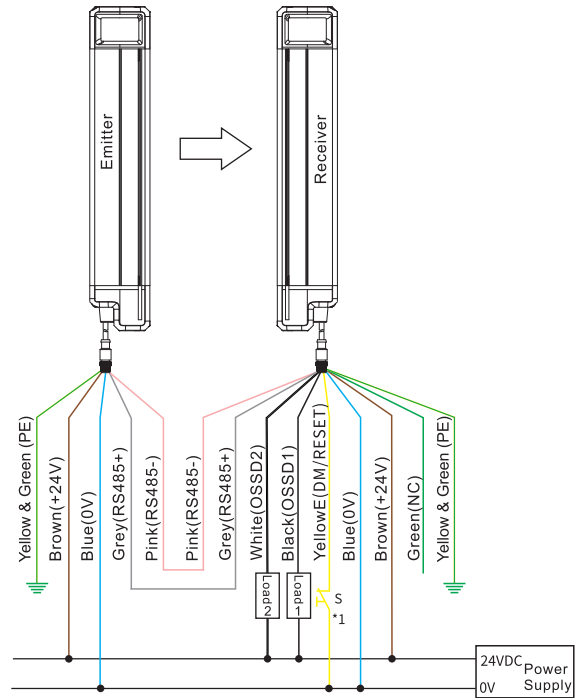


Type 4 Safety Light Curtain

Optical synchronization NPN (No EDM, manual reset)

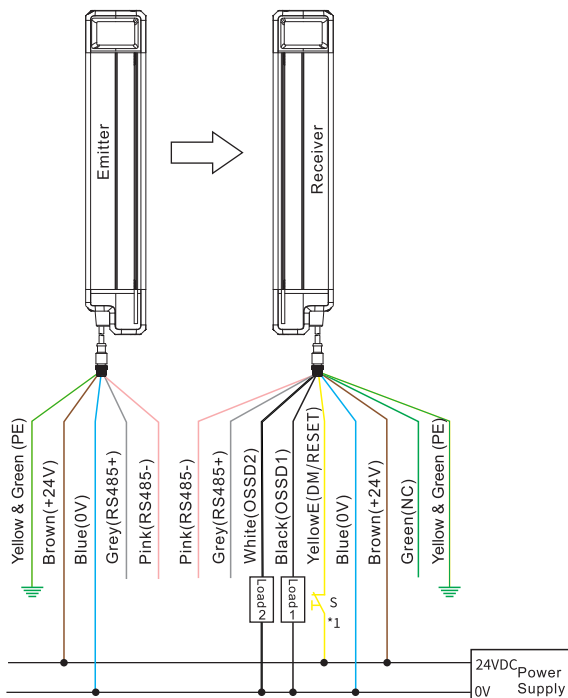


Wire connection NPN (No EDM, manual reset)

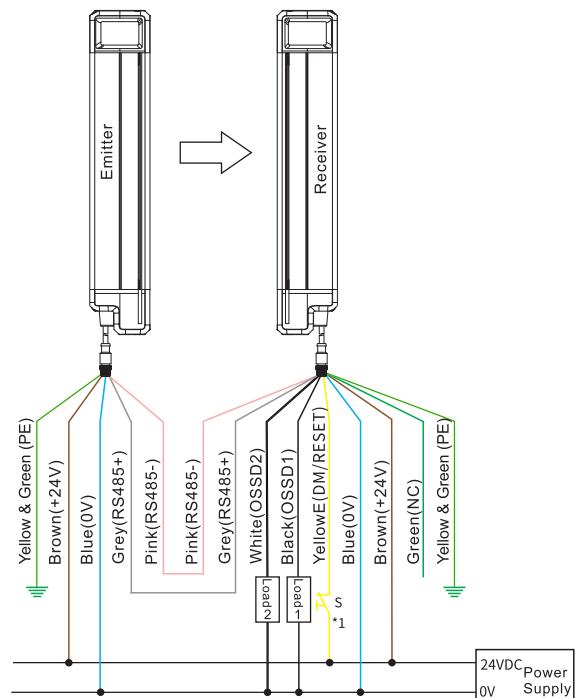


*1RESET: Once safety device triggered, reset interlock avoid machine restarting. Operator need to push restart safety device. Then machine start to work.

Optical synchronization PNP (No EDM, manual reset)



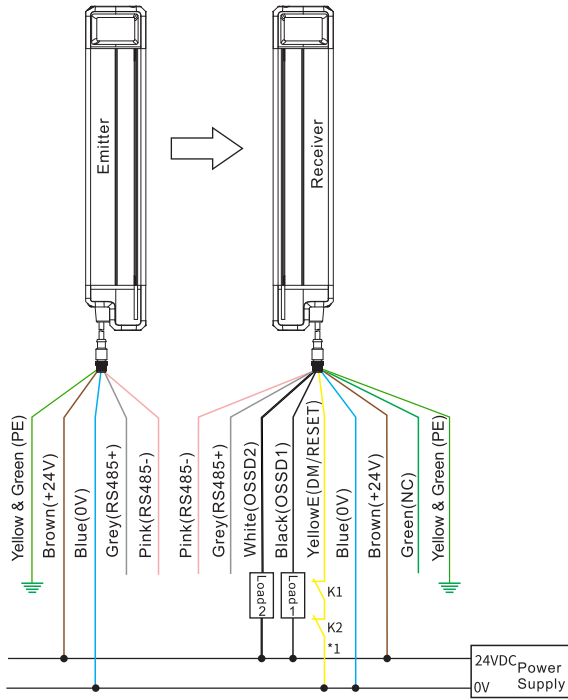
Wire connection PNP (No EDM, manual reset)



*1RESET: Once safety device triggered, reset interlock avoid machine restarting. Operator need to push restart safety device. Then machine start to work.

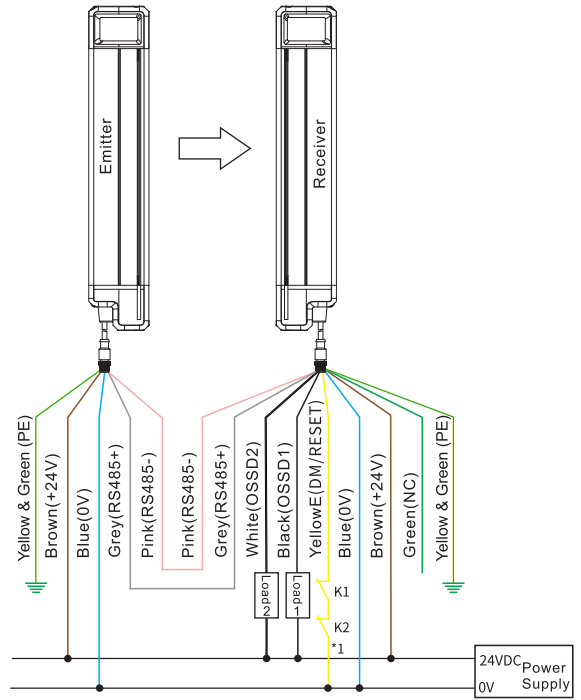
Wire Diagram

Optical synchronization NPN (With EDM & Automatic Reset)



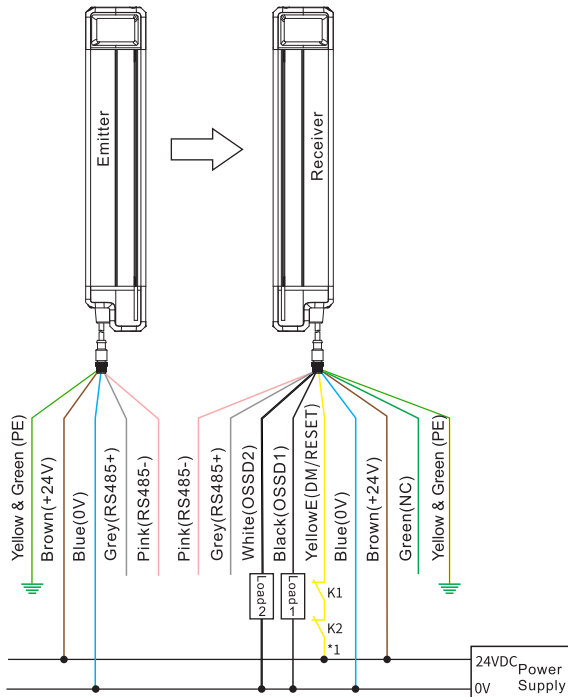
1 EDM: Monitor external device state

Wire connection NPN (With EDM & Automatic Reset)



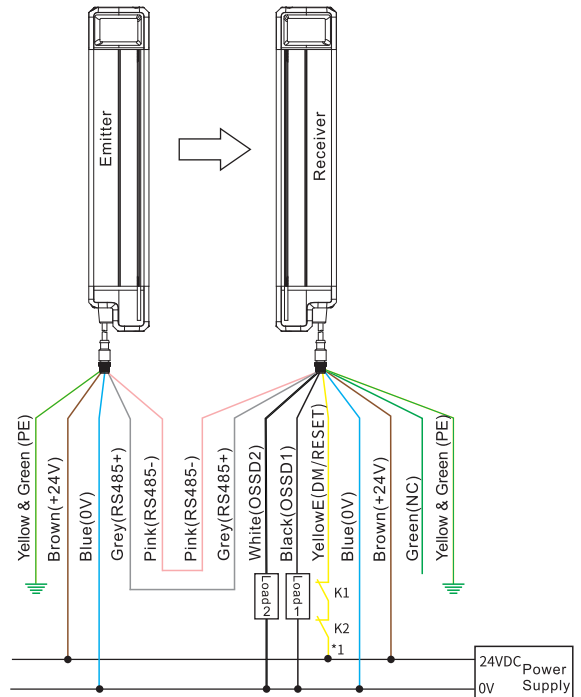
1 EDM: Monitor external device state

Optical synchronization PNP (With EDM & Automatic Reset)



1 EDM: Monitor external device state

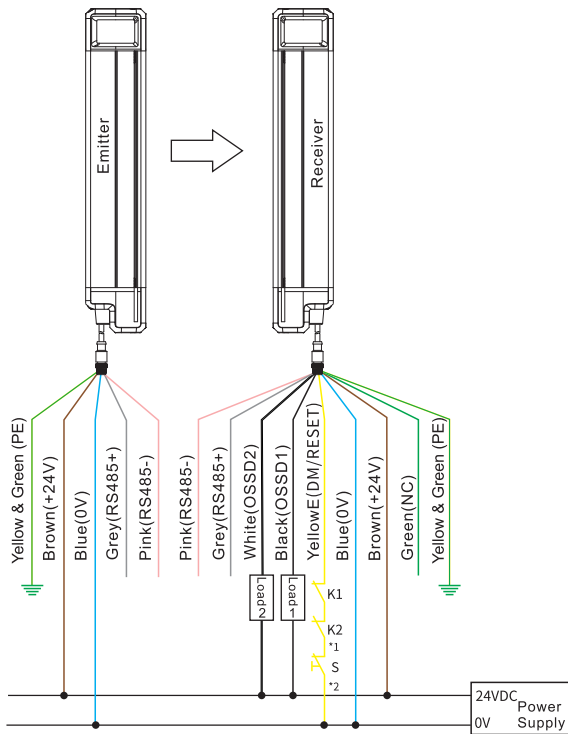
Wire connection PNP (With EDM & Automatic Reset)



1 EDM: Monitor external device state

Type 4 Safety Light Curtain

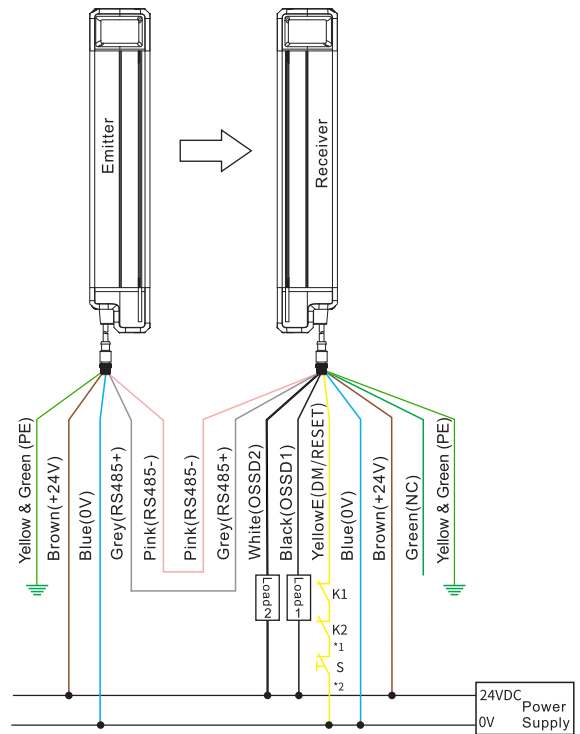
Optical synchronization NPN (With EDM & manual reset)



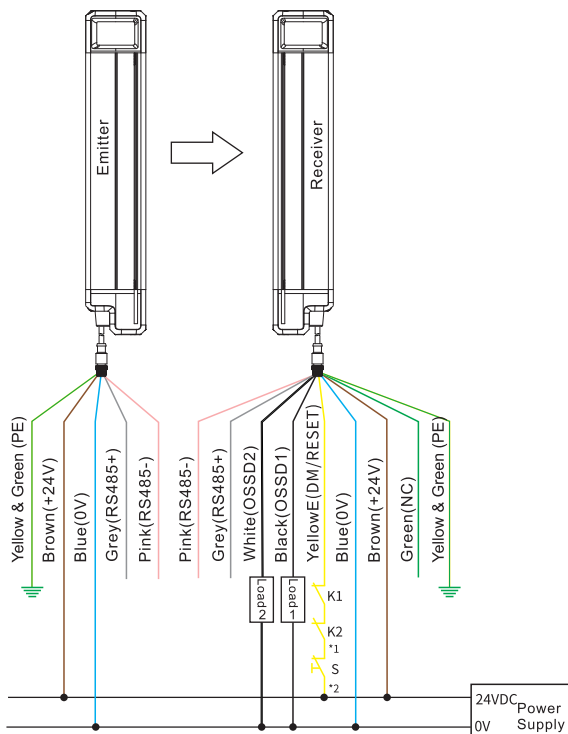
1 EDM: Monitor external device state

*2 Reset: Once safety device triggered, reset interlock avoid machine restarting. Operator need to push restart safety device. Then machine start to work.

Wire connection NPN (With EDM & manual reset)



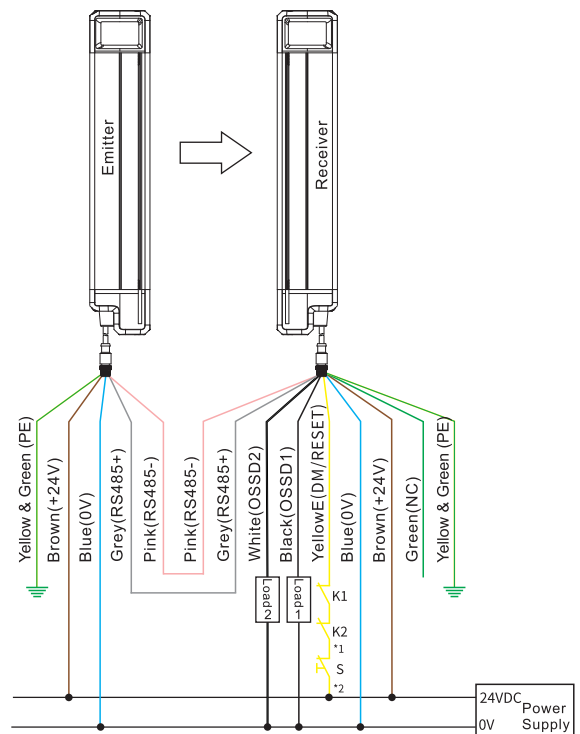
Optical synchronization PNP (With EDM & manual reset)



1 EDM: Monitor external device state

*2 Reset: Once safety device triggered, reset interlock avoid machine restarting. Operator need to push restart safety device. Then machine start to work.

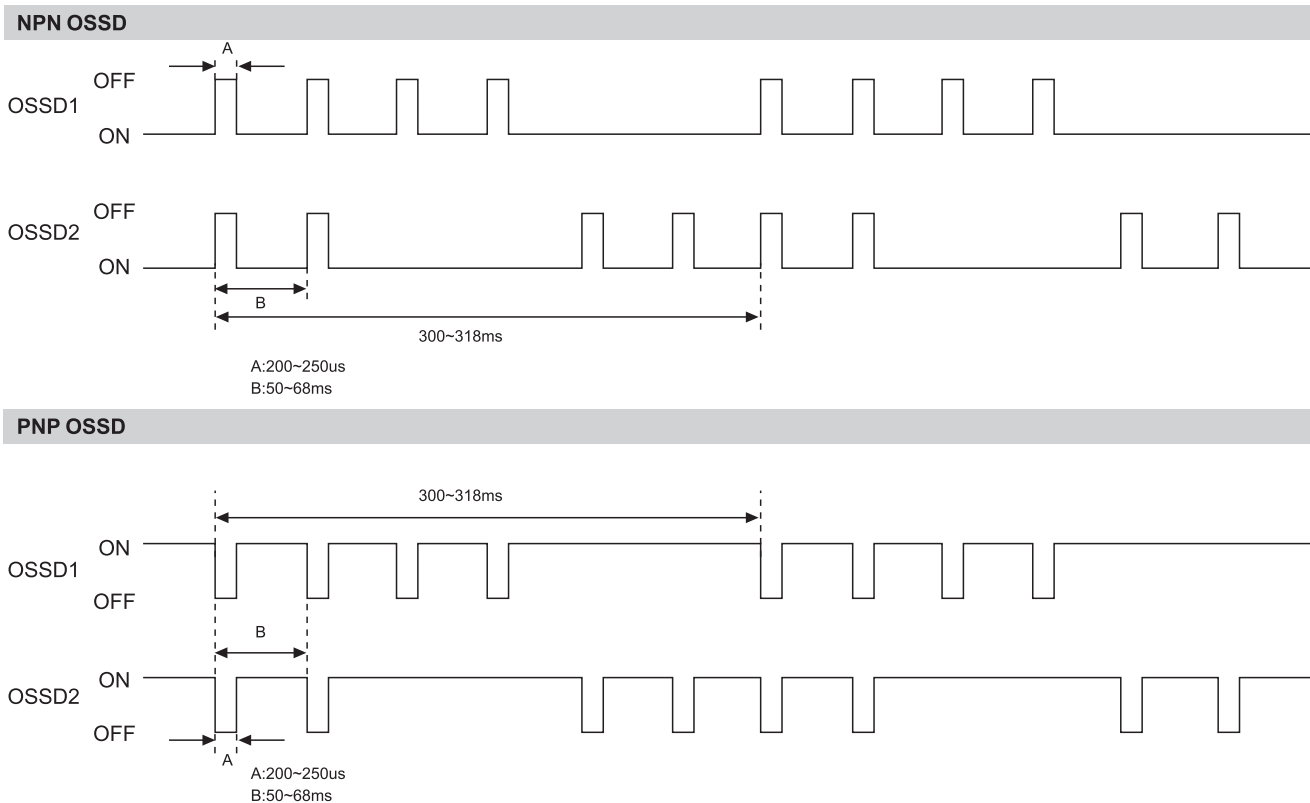
Wire connection PNP (With EDM & manual reset)



Wire Specification


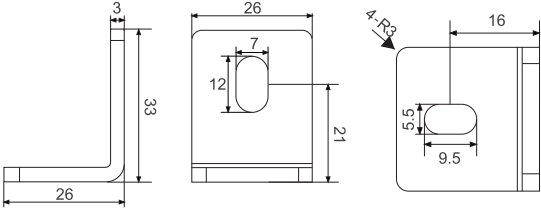

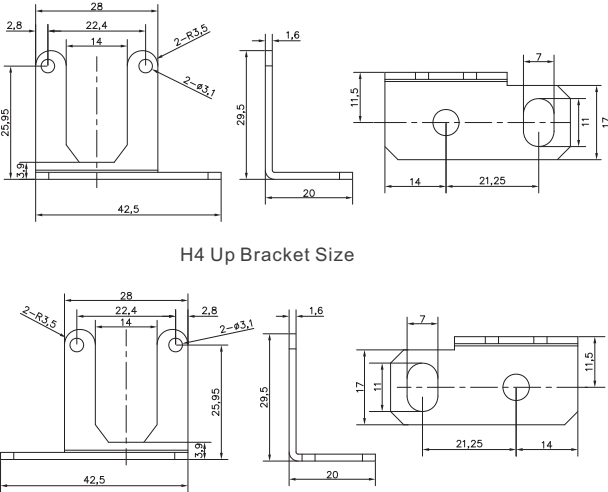

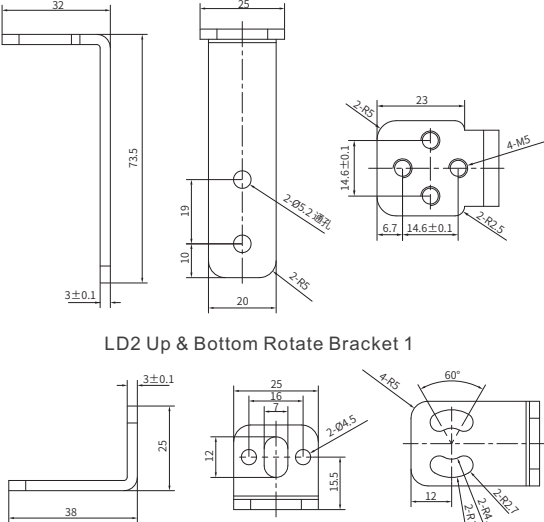
Barrier	Color	Wire Mark	Function
Emitter	Brown	24VDC	Positive of power
	Blue	0V	Negative of power
	Grey	RS485+	Configured RS485+/ Syn RS485+
	Pink	RS485-	Configured RS485-/ Syn Rs485-
	Yellow & Green	PE	Shielding wire
Receiver	Brown	24VDC	Positive of power
	Blue	0V	Negative of power
	Grey	RS485+	Configured RS485+/ Syn RS485+
	Pink	RS485-	Configured RS485-/ Syn Rs485-
	Yellow & Green	PE	Shielding wire
	Yellow	EDM/RESET	EDM detection and RESET input
	Black	OSSD1	Safety output 1
	White	OSSD2	Safety output 2
	Green	NC	Vacant Line

Sequence Diagram

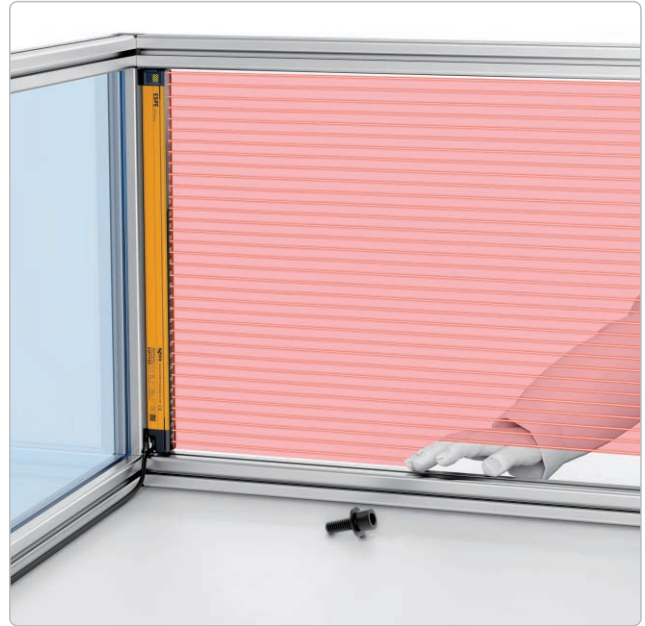
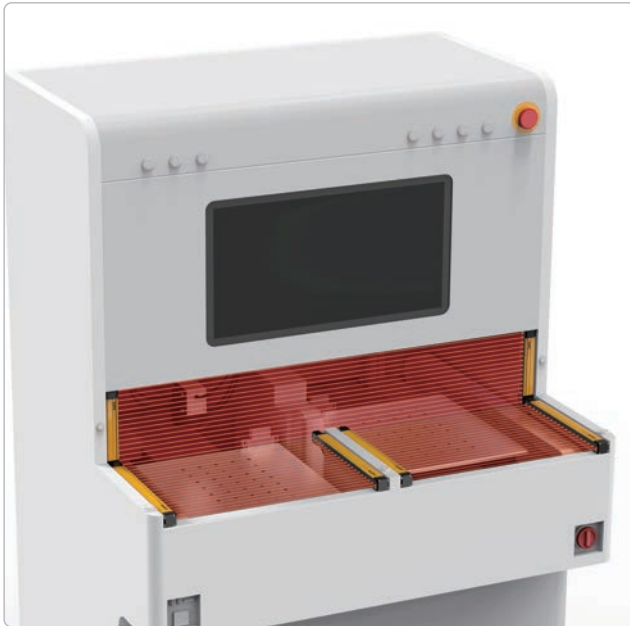


Type 4 Safety Light Curtain

Option of Bracket

Picture	Name	Accessories	Size
	L side mounting bracket	L1 bracket (4pcs) M5 Slider (4pcs) M6 gasket (4pcs) M6 spring washer (4pcs) M6*16 screw (4pcs) M6*8 screw (4pcs)	
	H4 up & bottom mounting bracket	Up & bottom bracket (4pcs) M6 pad (4pcs) M6 spring washer (4pcs) M3*6 screw (4pcs)	 <p style="text-align: center;">H4 Up Bracket Size</p> <p style="text-align: center;">H4 Bottom Bracket Size</p>
	LD2 up & bottom rotate bracket	LD2 rotate brackets 1 (4pcs) LD2 rotate brackets 2 (4pcs) M5 slider (8pcs) M5 gasket (4pcs) M6 spring washer (4pcs) M6*16 screw (4pcs) M5*6 screw (16pcs)	 <p style="text-align: center;">LD2 Up & Bottom Rotate Bracket 1</p> <p style="text-align: center;">LD2 Up & Bottom Rotate Bracket 2</p>

Application



Certificate

Safenet Certification Services Ltd.
 Ducart Bells, Castletry Park Commercial Campus, Limerick, V94 Y6FD, Ireland
 Tel: +353 91 92 2646 | Email: office@safenet.ie | Website: www.safenet.ie
 European Notified Body 2866

EU Type Examination Certificate

This is to certify that

Shenzhen ESPE Technology Co., Ltd.
 401, 501, 502 Building 2, Hongxin Industrial Park, Guanguang Road,
 Xinlan Community, Gunlan, Longhua, Shenzhen, Guangdong, China

Has had a range of EFP Safety Light Curtains examined with regards to the Electromagnetic Compatibility Directive 2014/30/EU.

With reference to model **EFP3210P**

Manufactured by:

Shenzhen ESPE Technology Co., Ltd.
 401, 501, 502 Building 2, Hongxin Industrial Park, Guanguang Road,
 Xinlan Community, Gunlan, Longhua, Shenzhen, Guangdong, China

- The technical construction file contains all the relevant information.
- Having verified that the appropriate tests have been conducted, with regard to the EFP3210P representing the range.
 - The example has been manufactured in accordance with the technical construction file and may be used under the intended conditions.
 - The standards and harmonized standards in the case may be, have been applied correctly.
 - The example has conformity with the protection requirements of Electromagnetic Compatibility Directive 2014/30/EU.
 - The technical file contains all the information required to include the models listed in the attached annex to this certificate.

Certificate Number: 5449080324b
 Date: 14/03/2024 Expiry Date: 08/03/2029

Signed for Safenet Certification Services Ltd.


 Peter McNicol
 Technical Manager





This Document remains the property of Safenet Certification Services Ltd and will be returned to them if so requested. The client is required to ensure it remains in compliance with the conditions of its contract and to provide evidence of this to Safenet Certification Services Ltd. The client is required to ensure it remains in compliance with the conditions of its contract and to provide evidence of this to Safenet Certification Services Ltd. The client is required to ensure it remains in compliance with the conditions of its contract and to provide evidence of this to Safenet Certification Services Ltd.

Safenet Certification Services Ltd.
 Ducart Bells, Castletry Park Commercial Campus, Limerick, V94 Y6FD, Ireland
 Tel: +353 91 92 2646 | Email: office@safenet.ie | Website: www.safenet.ie
 European Notified Body 2866

EC Type Examination Certificate

This is to certify that

Shenzhen ESPE Technology Co., Ltd.
 401, 501, 502 Building 2, Hongxin Industrial Park, Guanguang Road,
 Xinlan Community, Gunlan, Longhua, Shenzhen, Guangdong, China

Has had a range of EFP Safety Light Curtains examined with regard to the Directive 2006/42/EC as amended.

In respect of the **EFP3210P**

Manufactured by:

Shenzhen ESPE Technology Co., Ltd.
 401, 501, 502 Building 2, Hongxin Industrial Park, Guanguang Road,
 Xinlan Community, Gunlan, Longhua, Shenzhen, Guangdong, China

- The technical file contains all the relevant information.
- Having verified that the appropriate tests have been conducted.
 - The standards and harmonized standards EN IEC 61496-1:2020 and EN IEC 61496-2:2020 have been applied correctly.
 - The example representing series production of the item, complies with the essential health and safety requirements of the Directive 2006/42/EC as amended.
 - The technical file contains all the information required to include the models listed in the attached annex to this certificate.
 - The technical file also contains evidence of compliance with EN IEC 61496-1:2020 TYPE 4 and EN IEC 61496-2:2020 TYPE 4, and is suitable for applications regarding EN ISO 13849-1:2023 PL e

Certificate Number: 5448080324b
 Date: 14/03/2024 Expiry Date: 08/03/2029

Signed for Safenet Certification Services Ltd.


 Peter McNicol
 Technical Manager





This Document remains the property of Safenet Certification Services Ltd and will be returned to them if so requested. The client is required to ensure it remains in compliance with the conditions of its contract and to provide evidence of this to Safenet Certification Services Ltd. The client is required to ensure it remains in compliance with the conditions of its contract and to provide evidence of this to Safenet Certification Services Ltd. The client is required to ensure it remains in compliance with the conditions of its contract and to provide evidence of this to Safenet Certification Services Ltd.