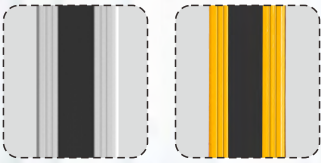


EB13 Series

Compact safety light curtain

Light of EB13 series is emitted from front side. The thickness of curtains is only 13mm which is better to save installation space and easily align. Strong ability to resist light and electromagnetic interference. Low power to save electricity, short response time to ensure reliability.

Color option: silver/ yellow



Product feature:

- Small and ultra-thin size is only 28*13mm
- Quick response time, the fastest response time < 1ms;
- Low wide voltage power supply is DC10V-30V
- Good performance to resist electromagnetic interference, and resist influence by electromagnetic of various equipment motors.
- Wire synchronization technology to anti light interference effectively;
- Easy to install and operate.

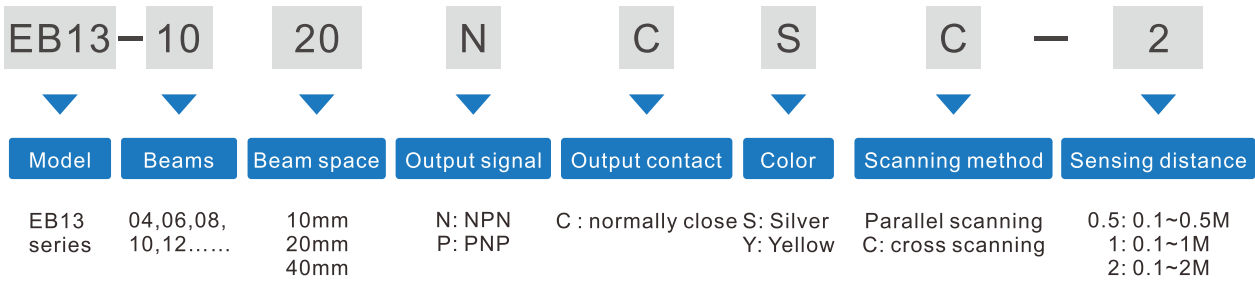


- EFP Series
- ESE Series
- ESN Series
- ESQC Series
- ELG Series
- EB13 Series**
- EB15 Series
- ESA Series
- ESP Series
- EFB Series
- ESF Series
- ESCL Series
- ESCF Series
- ESCH Series
- ESCC Series
- ESR Series
- EDL-R1 Series
- EPL Series
- EPS Series
- EPC Series
- EPM Series
- EPK Series
- EDS-R Series
- EDS-L Series
- EMB-M01
- F27X Series

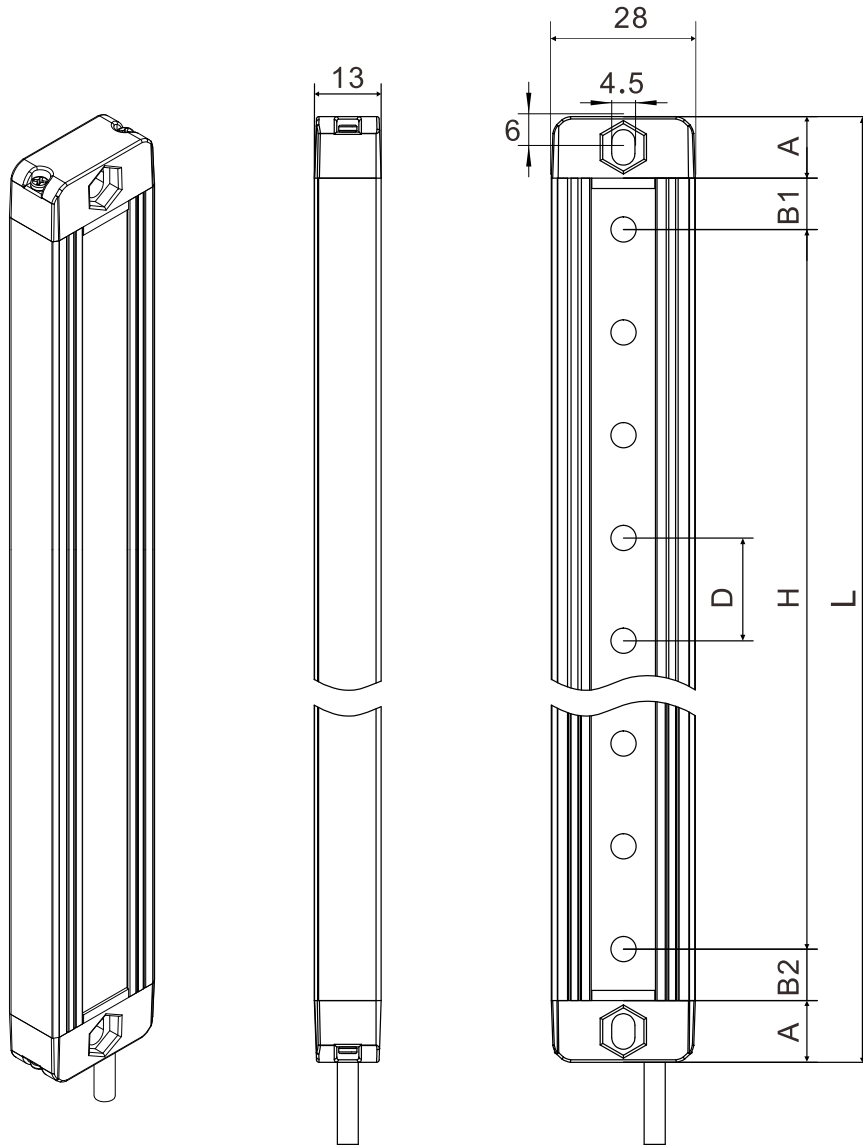
Technical parameter

Parameter of safety light curtain	
Power supply	DC10V~30V
Capacity	<5W
Beam space	10mm, 20mm, 40mm
Resolution	15mm, 25mm, 45mm
Beams	10mm: 8, 12, 16……128
	20mm: 4, 6, 8……64
	40mm: 4, 6, 8……32
Protective height	Protective height= (N-1)* beam space, N is beam quantity
Wave length	940nm
Response time	Response time = N*0.1ms + 0.4ms (N is beam quantity)
Type of output (OSSD)	PNP/NPN semiconductors, current <200mA, residual voltage: 1V max, (Except voltage influenced by lengthen wire) leakage current: 1mA max.
Protective circuit	Overvoltage protection, power supply reverse polarity protection, Overcurrent protection
Sensing distance	0.1~0.5m, 0.1~1m, 0.1~2m (remark: if have light reflection, please let us know)
Anti-optical interference	10000Lux(angle>5°)
Sensing method	Through-beam type
Synchronization	Wire synchronization
Enclosure material	Aluminum alloy
Enclosure rating	IP54
Housing cross-section	28*13mm
Ambient operating temperature	-10°C~55°C (without freezing)
Storage temperature	-30°C~70°C (without freezing)
Ambient operating humidity	Whentemperature is 20°C, humidity max 85%

Explanation of model number (For example: EB13-1020NSC-2)



Product size



A: Upper and bottom cover
 B1: Upper stop-work range
 B2: Bottom stop-work range
 D: Beam space
 H: Protective height
 L: Total height

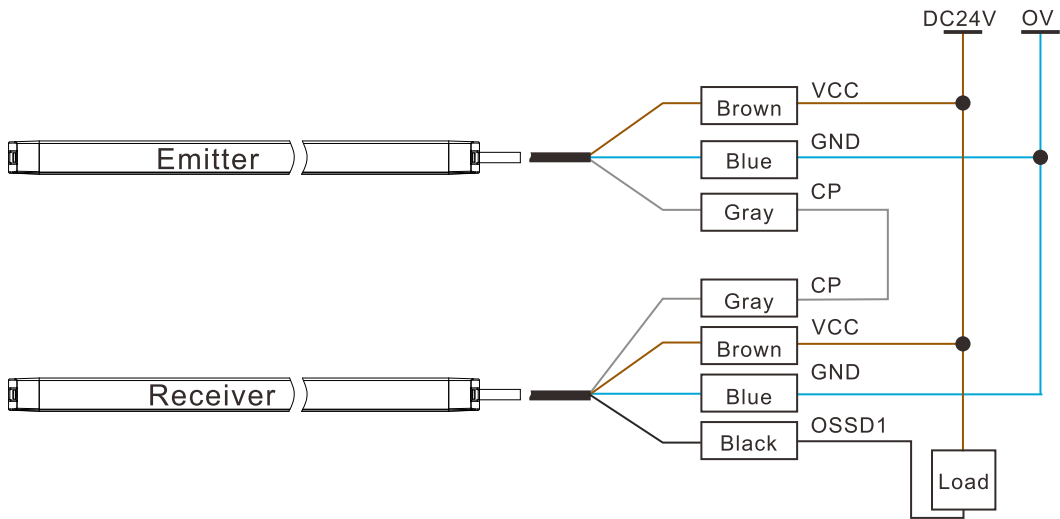
A=12mm;
 When D=10mm, B1=5mm; B2=5mm
 When D=20mm, B1=10mm; B2=10mm
 When D=40mm, B1=10mm; B2=30mm
 H is protective height: $H=(\text{beams}-1) * \text{beam space}$
 L is total height: $L=A1+A2+B1+B2+H$

- EFP Series
- ESE Series
- ESN Series
- ESQC Series
- ELG Series
- EB13 Series**
- EB15 Series
- ESA Series
- ESP Series
- EFB Series
- ESF Series
- ESCL Series
- ESCF Series
- ESCH Series
- ESCC Series
- ESR Series
- EDL-R1 Series
- EPL Series
- EPS Series
- EPC Series
- EPM Series
- EPK Series
- EDS-R Series
- EDS-L Series
- EMB-M01
- F27X Series

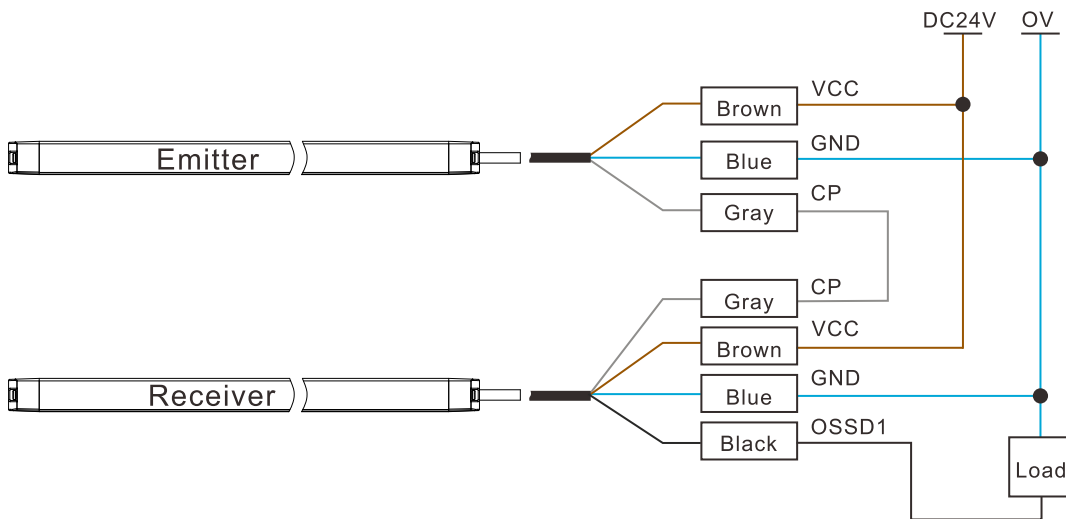
- EFP Series
- ESE Series
- ESN Series
- ESQC Series
- ELG Series
- EB13 Series**
- EB15 Series
- ESA Series
- ESP Series
- EFB Series
- ESF Series
- ESCL Series
- ESCF Series
- ESCH Series
- ESCC Series
- ESR Series
- EDL-R1 Series
- EPL Series
- EPS Series
- EPC Series
- EPM Series
- EPK Series
- EDS-R Series
- EDS-L Series
- EMB-M01
- F27X Series

Wire connection

NPN type

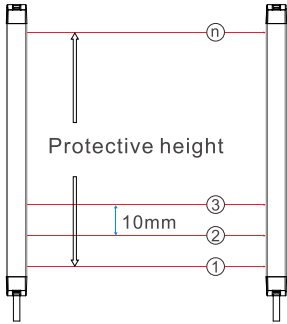
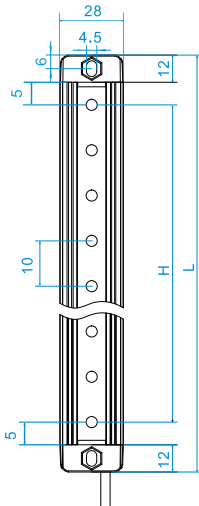
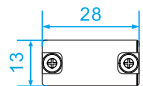


PNP type



EB13 selection sheet

- Beam space is 10mm, resolution 15mm

Picture	Beams (n)	Protective height(mm)	Total height (mm)	Model	Size L*W*H(mm)	
	08	70	104	EB13-0810	28*13*104	
	12	110	144	EB13-1210	28*13*144	
	16	150	184	EB13-1610	28*13*184	
	20	190	224	EB13-2010	28*13*224	
	24	230	264	EB13-2410	28*13*264	
	28	270	304	EB13-2810	28*13*304	
	32	310	344	EB13-3210	28*13*344	
	36	350	384	EB13-3610	28*13*384	
	40	390	424	EB13-4010	28*13*424	
	44	430	464	EB13-4410	28*13*464	
	48	470	504	EB13-4810	28*13*504	
	52	510	544	EB13-5210	28*13*544	
	56	550	584	EB13-5610	28*13*584	
	60	590	624	EB13-6010	28*13*624	
	64	630	664	EB13-6410	28*13*664	
	 <p>Front view</p>	68	670	704	EB13-6810	28*13*704
72		710	744	EB13-7210	28*13*744	
76		750	784	EB13-7610	28*13*784	
80		790	824	EB13-8010	28*13*824	
84		830	864	EB13-8410	28*13*864	
88		870	904	EB13-8810	28*13*904	
92		910	944	EB13-9210	28*13*944	
96		950	984	EB13-9610	28*13*984	
100		990	1024	EB13-10010	28*13*1024	
 <p>Top-view</p>		104	1030	1064	EB13-10410	28*13*1064
		108	1070	1104	EB13-10810	28*13*1104
		112	1110	1144	EB13-11210	28*13*1144
		116	1150	1184	EB13-11610	28*13*1184
		120	1190	1224	EB13-12010	28*13*1224
		124	1230	1264	EB13-12410	28*13*1264
		128	1270	1304	EB13-12810	28*13*1304

H is protective height:

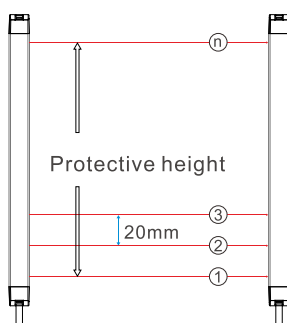
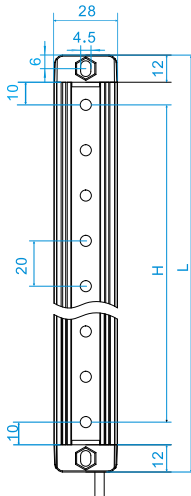
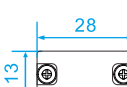
$$H = (\text{Beams} - 1) * \text{beam space}$$

$$L \text{ is total height: } L = A1 + A2 + B1 + B2 + H$$

Besides of above model, we can customize the protective height according to your request.

EB13 selection sheet

- Beam space is 20mm, resolution 25mm

Picture	Beams (n)	Protective height(mm)	Total height (mm)	Model	Size L*W*H(mm)
   <p>Front view</p> <p>Top-view</p> <p>H is protective height: $H = (\text{Beams} - 1) * \text{beam space}$ L is total height: $L = A1 + A2 + B1 + B2 + H$</p>	04	60	104	EB13-0420	28*13*104
	06	100	144	EB13-0620	28*13*144
	08	140	184	EB13-0820	28*13*184
	10	180	224	EB13-1020	28*13*224
	12	220	264	EB13-1220	28*13*264
	14	260	304	EB13-1420	28*13*304
	16	300	344	EB13-1620	28*13*344
	18	340	384	EB13-1820	28*13*384
	20	380	424	EB13-2020	28*13*424
	22	420	464	EB13-2220	28*13*464
	24	460	504	EB13-2420	28*13*504
	26	500	544	EB13-2620	28*13*544
	28	540	584	EB13-2820	28*13*584
	30	580	624	EB13-3020	28*13*624
	32	620	664	EB13-3220	28*13*664
	34	660	704	EB13-3420	28*13*704
	36	700	744	EB13-3620	28*13*744
	38	740	784	EB13-3820	28*13*784
	40	780	824	EB13-4020	28*13*824
	42	820	864	EB13-4220	28*13*864
	44	860	904	EB13-4420	28*13*904
	46	900	944	EB13-4620	28*13*944
	48	940	984	EB13-4820	28*13*984
	50	980	1024	EB13-5020	28*13*1024
	52	1020	1064	EB13-5220	28*13*1064
	54	1060	1104	EB13-5420	28*13*1104
	56	1100	1144	EB13-5620	28*13*1144
	58	1140	1184	EB13-5820	28*13*1184
	60	1180	1224	EB13-6020	28*13*1224
	62	1220	1264	EB13-6220	28*13*1264
	64	1260	1304	EB13-6420	28*13*1304

EFP Series

ESE Series

ESN Series

ESQC Series

ELG Series

EB13 Series

EB15 Series

ESA Series

ESP Series

EFB Series

ESF Series

ESCL Series

ESCF Series

ESCH Series

ESCC Series

ESR Series

EDL-R1 Series

EPL Series

EPS Series

EPC Series

EPM Series

EPK Series

EDS-R Series

EDS-L Series

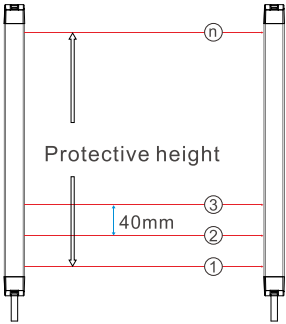
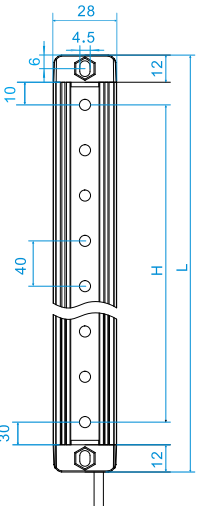
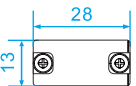
EMB-M01

F27X Series

Besides of above model, we can customize the protective height according to your request.

EB13 selection sheet


- Beam space is 40mm, resolution 45mm

Picture	Beams (n)	Protective height(mm)	Total height (mm)	Model	Size L*W*H(mm)
	04	120	184	EB13-0440	28*13*184
	06	200	264	EB13-0640	28*13*264
	08	280	344	EB13-0840	28*13*344
	10	360	424	EB13-1040	28*13*424
	12	440	504	EB13-1240	28*13*504
	14	520	584	EB13-1440	28*13*584
	16	600	664	EB13-1640	28*13*664
	18	680	744	EB13-1840	28*13*744
	20	760	824	EB13-2040	28*13*824
	22	840	904	EB13-2240	28*13*904
	24	920	984	EB13-2440	28*13*984
	26	1000	1064	EB13-2640	28*13*1064
	28	1080	1144	EB13-2840	28*13*1144
	30	1160	1224	EB13-3040	28*13*1224
	32	1240	1304	EB13-3240	28*13*1304
	 <p>Front view</p>  <p>Top-view</p> <p>H is protective height: $H = (\text{Beams} - 1) * \text{beam space}$ L is total height: $L = A1 + A2 + B1 + B2 + H$</p>				

Besides of above model, we can customize the protective height according to your request.

- EFP Series
- ESE Series
- ESN Series
- ESQC Series
- ELG Series
- EB13 Series**
- EB15 Series
- ESA Series
- ESP Series
- EFB Series
- ESF Series
- ESCL Series
- ESCF Series
- ESCH Series
- ESCC Series
- ESR Series
- EDL-R1 Series
- EPL Series
- EPS Series
- EPC Series
- EPM Series
- EPK Series
- EDS-R Series
- EDS-L Series
- EMB-M01
- F27X Series

Installation picture

Picture	Bracket Name	Accessorie
	<p>End cap with hole for mounting</p>	<p>M4*16Screws (4PCS)</p>

Application case

